



50000 BALL VALVE THREE PIECE



Revolutionizing Flow Control

PRODUCT FEATURES -

- Extra High Cycle Life Provide By Spherical Segment Stem
- Self Adjusting Stem Seal Automatically Adjust Seal To Compensate For Wear Temperature, And Pressure Fluctuations
- Blow-out Proof Stem
- Full Port Constructions Minimizes Pressure Drop Across Pipeline
- Anti-static Device
- Three-piece Swing Out Design For In-line Maintenance
- Iso 5211 Mounting Dimensions For Easy Automations
- Double Body Seal Feature To Suitable For High Pressure.
- Fire Safe In Compliance With Api 607
- Air Cushioned Handle Sleeve For Comfortable Manual Operation.

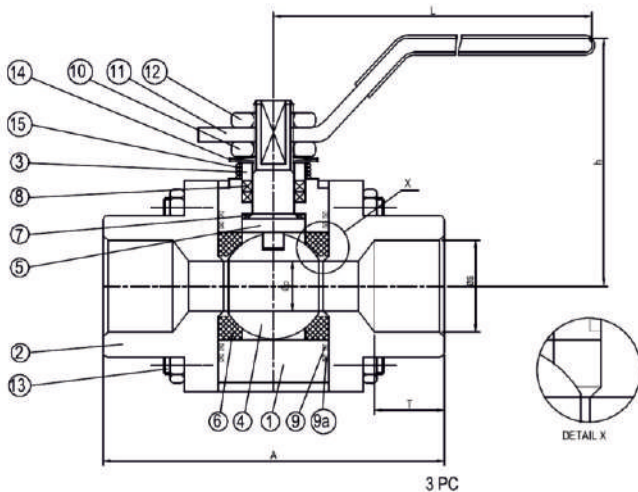
AVAILABLE MATERIAL OF CONSTRUCTION -

Body and Side piece: CF8M,CF8,CF3M,WCB,A105,
CF3,F304,F316,CN7M.

Seats & Seals: PTFE , RPTFE , Carbon Filled PTFE ,
S/S Filled PTFE , Grafoil

CODES & STANDARDS -

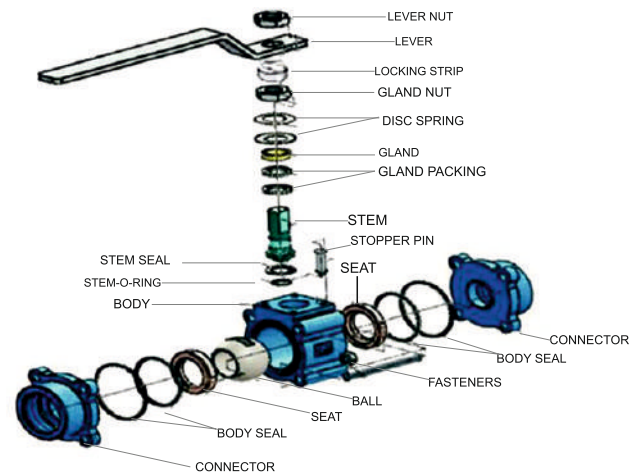
Design & Manufacturing :ISO 17292 (BS5351) /API 6D
Face to Face Dimensions : Manufacturers Standard
Inspection & Testing : ISO EN 12266 –PART I (BS6755-1)
Butt Weld Dimensions : ANSI B 16.25



GENERAL SPECIFICATION -

- Size Available : 1/2" to 2" (DN 15 TO DN 50)
- Temperature Rating : -60°F to 450°F.
Ends: Screwed/Socket/Butt Weld
- Pressure Rating : # 400 &600-(I.C. Casting),
Port : Full / Reduce
- Pressure Rating : #800 –(Forged Valve)

Sr	Description	Material
01	BODY	A105/WCB/CF8/CF8M
02	END PIPE	A105/WCB/CF8/CF8M
03	BALL	304/316
04	STEM	304/316
05	SEAT	PTFE/GFT/CFT
06	GLAND	304/316
07	GLAND PACKING	PTFE/GRAFOIL
08	STEM SEAL	GFT
09	BODY SEAL	PTFE/O-RING/GRAFOIL
10	GLAND NUT	CARBON STEEL
11	LEVER	CARBON STEEL
12	LEVER NUT	CARBON STEEL
13	BODY STUD/NUT	B7/2H OR SS304
14	BELLEVILLE SPRING	SPRING STEEL
15	ANTISTATIC SPRING	SS304



SIZE	Dimensions Data in mm						
	A	H	L	∅P			∅S
				RP	FB		
15	65	54	145	8	11	21.8	13
20	76	54	145	11	17.5	27.4	10
25	86	92	180	17.5	23	34.1	13
32	103	96	180	23	30	42.7	13
40	113	117	195	30	37	49	16
50	123	122	195	37	49	61	13



UNICORN VALVES


Revolutionizing Flow Control



UVPL-CAT-UA-11&12-04/2018

With continual development of our products, Unicorn Valves reserve the right to amend and change the design and/or specification without prior notice.

contact us

 S.F. No. 100/2B, Valukkuparai P.O,
Marichettipathy Road, Nachipalayam,
Madukkarai (Taluk), Coimbatore-641032,
Tamil Nadu - India.

 sales@unicorn-valves.com

 +91-422-2901322

 www.unicorn-valves.com

